

**CHAMP 0.8mm Centerline Connector Backshell Kits**

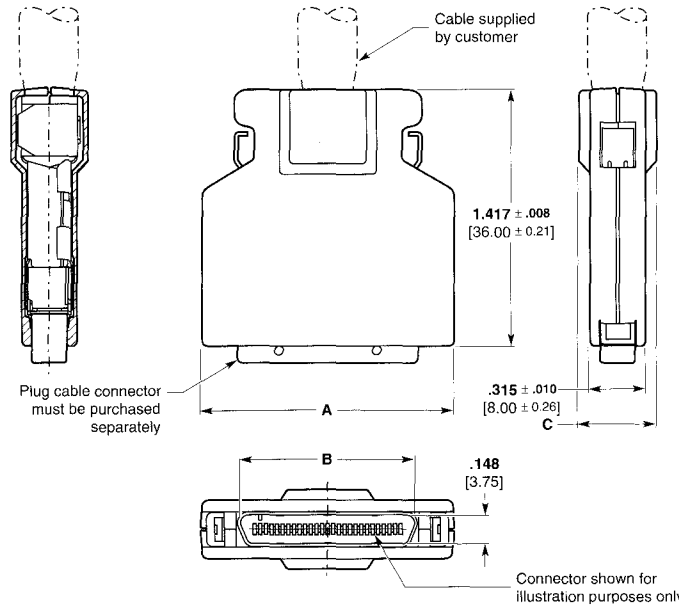
**Standard  
With Squeeze-to-Release  
Latches**

**Material and Finish**

**Backshells** — Steel, plated .000197 [0.005] min. bright tin-lead over .000098 [0.0025] min. copper

**Spring Latches** — Stainless Steel

**Spring Latch Covers** — UL 94V-0 rated, ABS/PC alloy, black



| No. of Positions | Dimensions     |                |               | Part Nos.<br>Bulk Kits<br>(100 Assemblies) |
|------------------|----------------|----------------|---------------|--|
|                  | A              | B              | C             |  |
| 36               | 1.197<br>30.40 | .754<br>19.15  | .394<br>10.00 | 787231-1                                   |
| 50               | 1.417<br>36.00 | .974<br>24.75  | .433<br>11.00 | 787133-1                                   |
| 68               | 1.701<br>43.20 | 1.258<br>31.95 | .442<br>11.22 | 787229-1                                   |

**With Jackscrew Fastener**

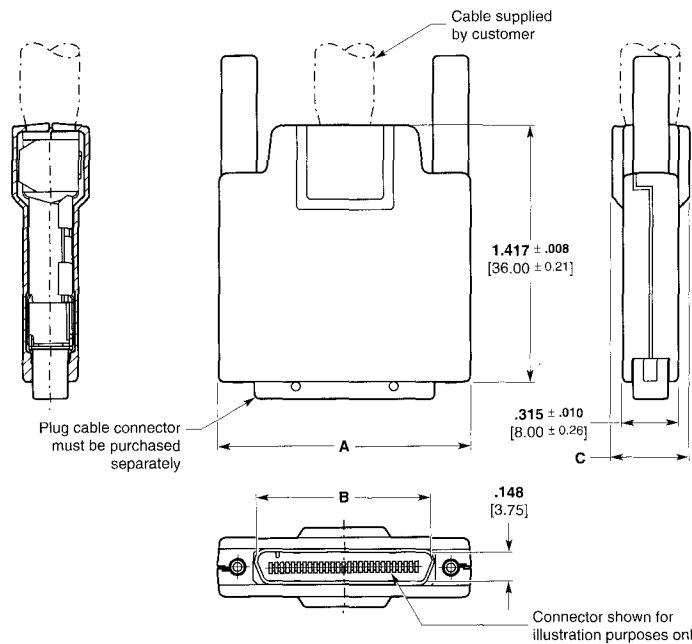
**Material and Finish**

**Backshells** — Steel, plated .000197 [0.005] min. bright tin-lead over .000098 [0.0025] min. copper

**Jackscrews** — Steel, plated blue chromate over zinc

**Jackscrew Head** — ABS/PC, black

**Jackscrew Covers** — UL 94V-0 rated, ABS/PC alloy, black



| No. of Positions | Dimensions     |                |               | Part Nos.<br>Bulk Kits<br>(100 Assemblies) |
|------------------|----------------|----------------|---------------|--|
|                  | A              | B              | C             |  |
| 50               | 1.417<br>36.00 | .974<br>24.75  | .433<br>11.00 | 787233-1                                   |
| 68               | 1.701<br>43.20 | 1.258<br>31.95 | .442<br>11.22 | 787191-1                                   |

**Note:** Recommended wire size — 30 AWG [0.05mm<sup>2</sup>], insulation diameter range — .022-.025 [0.56-0.64]

Wire must be approved by Tyco Electronics.